

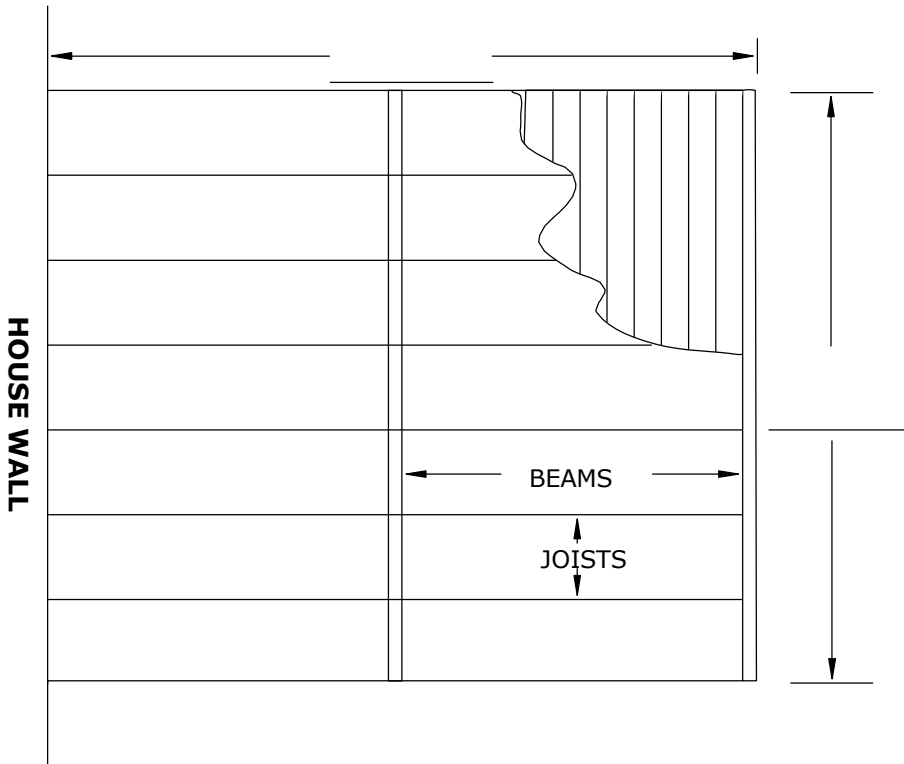


CITY OF BILLINGS

BUILDING & SAFETY DIVISION

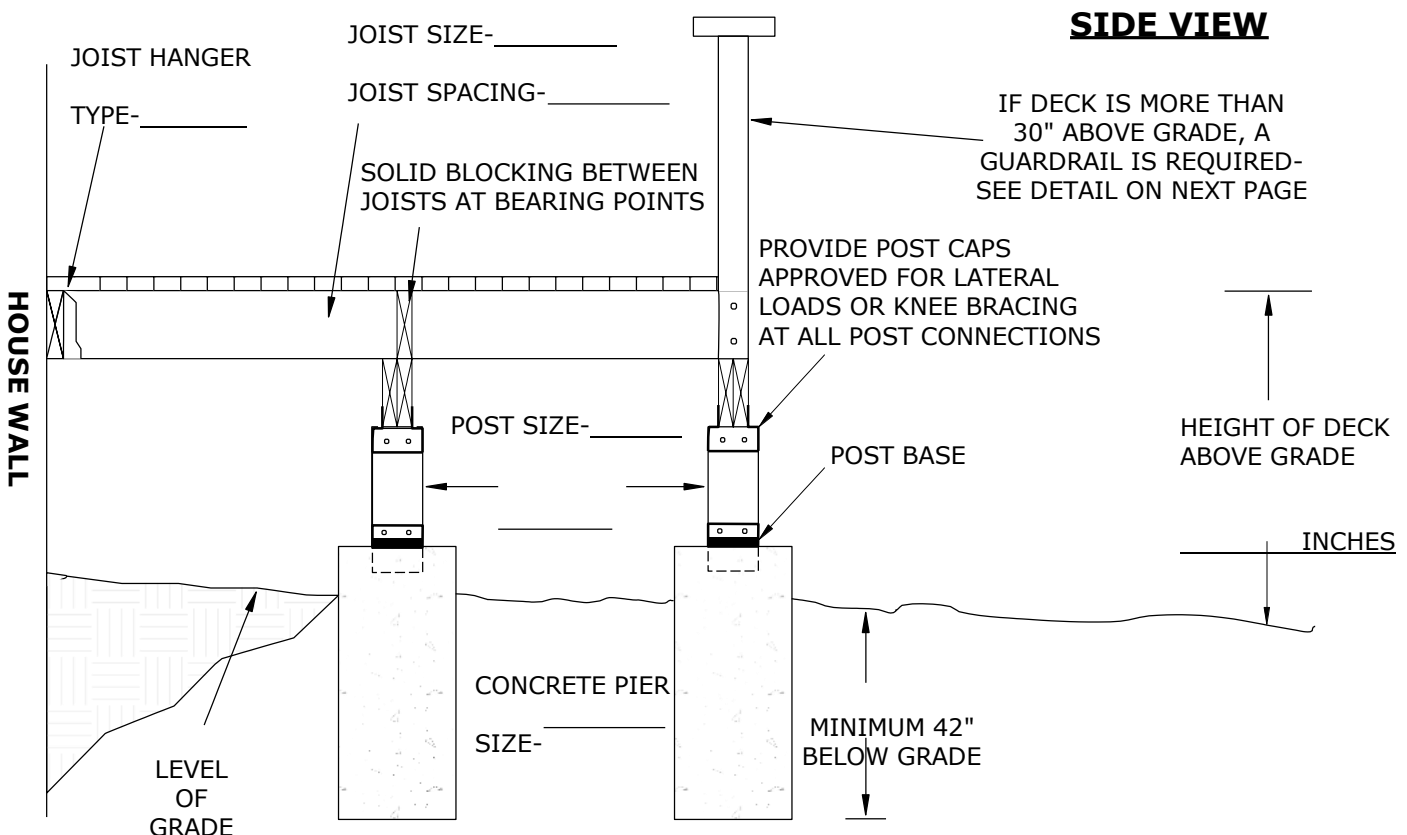
2825 3rd Avenue North, 4th Floor
Billings, Montana 59101
Office (406) 657-8270
Fax (406) 657-8252

ATTACHED DECK



PLAN VIEW

- SHOW LENGTH AND WIDTH DIMENSIONS
- SHOW LOCATION OF ALL SUPPORT POSTS
- SHOW SIZE AND TYPE OF ALL BEAMS
- SHOW LOCATION OF STEPS IF APPLICABLE





CITY OF BILLINGS

BUILDING & SAFETY DIVISION

2825 3rd Avenue North, 4th Floor
Billings, Montana 59101
Office (406) 657-8270
Fax (406) 657-8252

SITE PLAN

PROVIDE THE FOLLOWING INFORMATION ON SITE PLAN:

ADDRESS: _____

INDICATE ALL STREETS, ALLEYS, AND ADJACENT PROPERTIES

SHOW LOT SIZE DIMENSIONS

SHOW ALL EXISTING AND PROPOSED STRUCTURES ON SITE WITH DIMENSIONS

SHOW SETBACK DIMENSIONS FROM PROPERTY LINES TO PROPOSED STRUCTURE

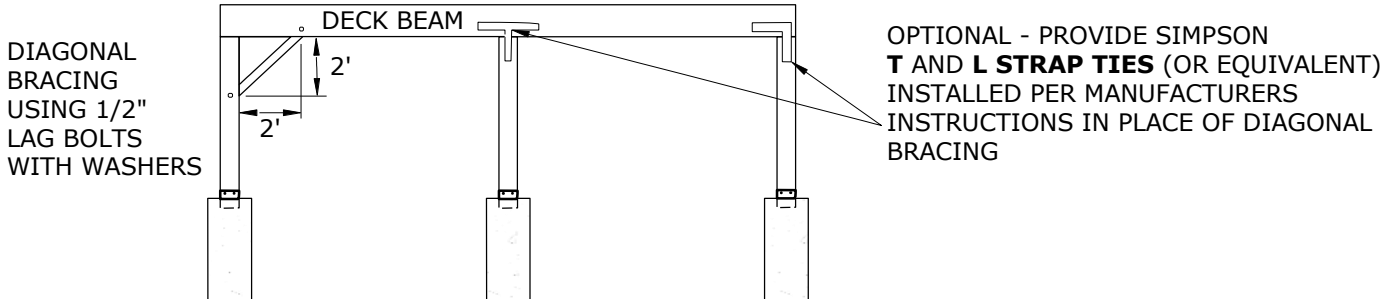


CITY OF BILLINGS

BUILDING & SAFETY DIVISION

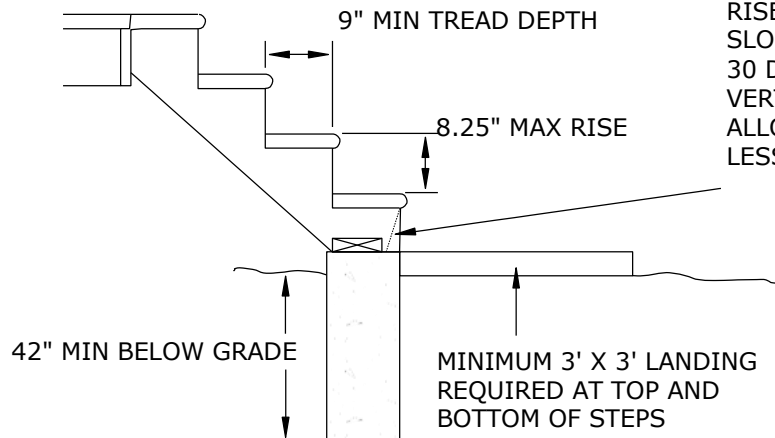
2825 3rd Avenue North, 4th Floor
Billings, Montana 59101
Office (406) 657-8270
Fax (406) 657-8252

DIAGONAL BRACING DETAIL



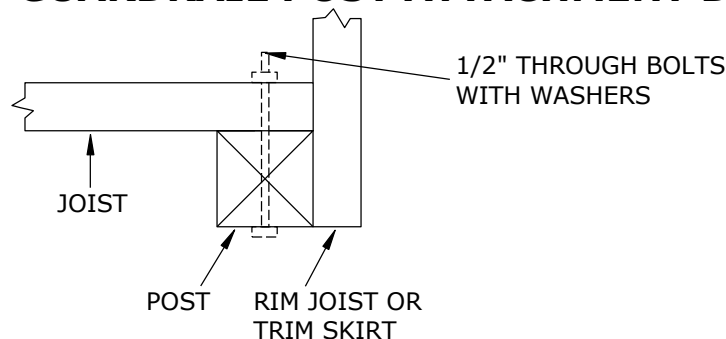
STAIR CONSTRUCTION DETAIL

STAIRS CONTAINING 4 OR MORE RISERS ARE REQUIRED TO HAVE A HANDRAIL ON AT LEAST ONE SIDE OF THE FLIGHT. THE HANDRAIL MUST BE CONTINUOUS FOR THE FULL LENGTH OF THE FLIGHT.

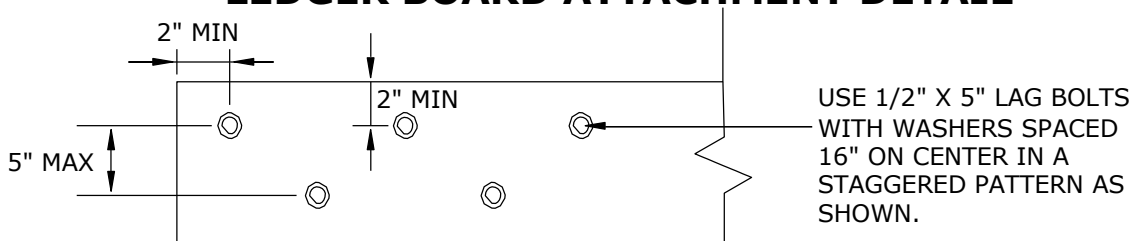


RISERS ALLOWED TO BE SLOPED NOT MORE THAN 30 DEGREES FROM THE VERTICAL. OPEN RISERS ALLOWED WITH OPENINGS LESS THAN 4"

GUARDRAIL POST ATTACHMENT DETAIL

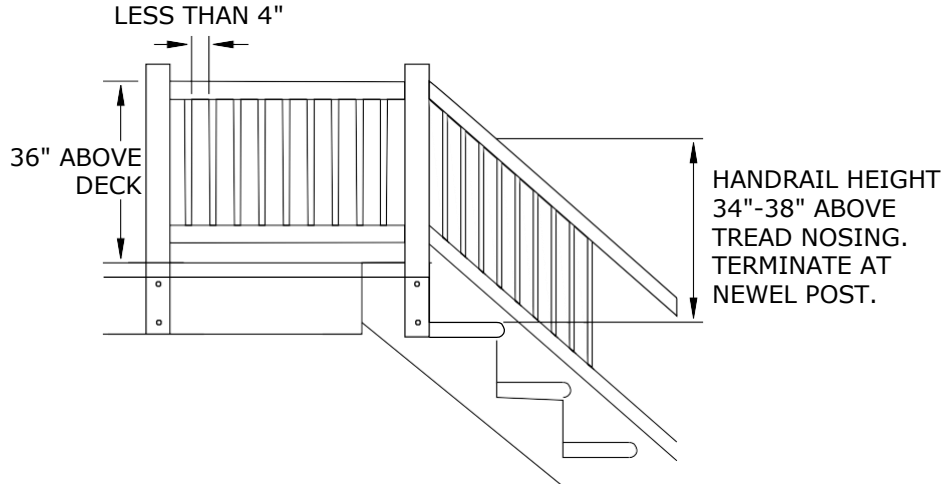


LEDGER BOARD ATTACHMENT DETAIL



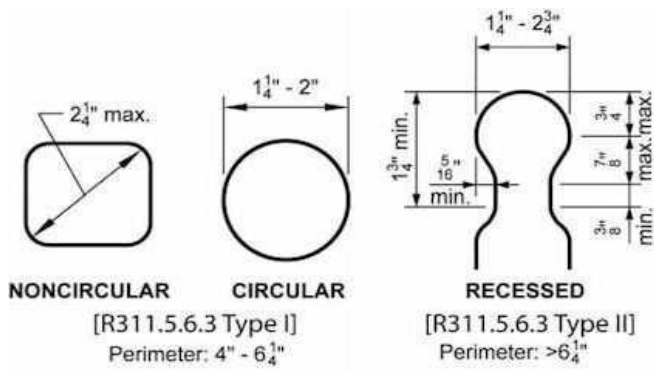


GUARDRAIL/HANDRAIL DETAIL



HANDRAIL GRIP SIZE REQUIREMENTS

R311.7.8.3 Grip-size. All required handrails shall be of one of the following types or provide equivalent graspability.



1. Type I. Handrails with a circular cross section shall have an outside diameter of at least 1 1/4 inches (32 mm) and not greater than 2 inches (51 mm). If the handrail is not circular, it shall have a perimeter dimension of at least 4 inches (102 mm) and not greater than 6 1/4 inches (160 mm) with a maximum cross section of dimension of 2 1/4 inches (57 mm). Edges shall have a minimum radius of 0.01 inch (0.25 mm).

2. Type II. Handrails with a perimeter greater than 6 1/4 inches (160 mm) shall have a graspable finger recess area on both sides of the profile. The finger recess shall begin within a distance of 3/4 inch (19 mm) measured vertically from the tallest portion of the profile and achieve a depth of at least 5/16 inch (8 mm) within 7/8 inch (22 mm) below the widest portion of the profile. This required depth shall continue for at least 3/8 inch (10 mm) to a level that is not less than 1 3/4 inches (45 mm) below the tallest portion of the profile. The minimum width of the handrail above the recess shall be 1 1/4 inches (32 mm) to a maximum of 2 3/4 inches (70 mm). Edges shall have a minimum radius of 0.01 inch (0.25 mm).